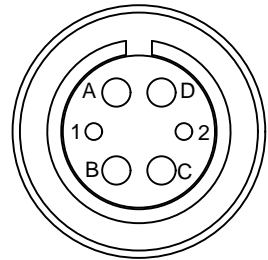


# P1



Front view

### I. Wiring Table

P1	Color	Marker	Terminal
A	Brown	U	U Terminal
C	Black	V	U Terminal
B	Gray	W	U Terminal
D	Yellow /Green	PE	0 Terminal

### II. Test Conditions:

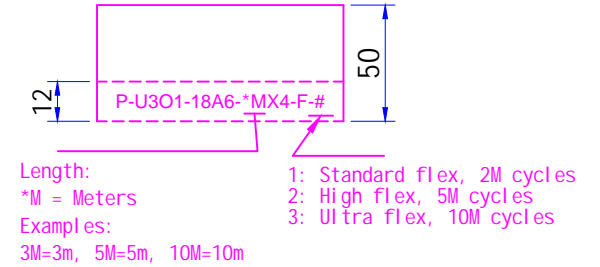
- 100% Open & Short Circuit Test
- Withstand Voltage Test: DC 300V
- Continuity Impedance: < 5
- Insulation Resistance: 300 M

### IV. Packaging:

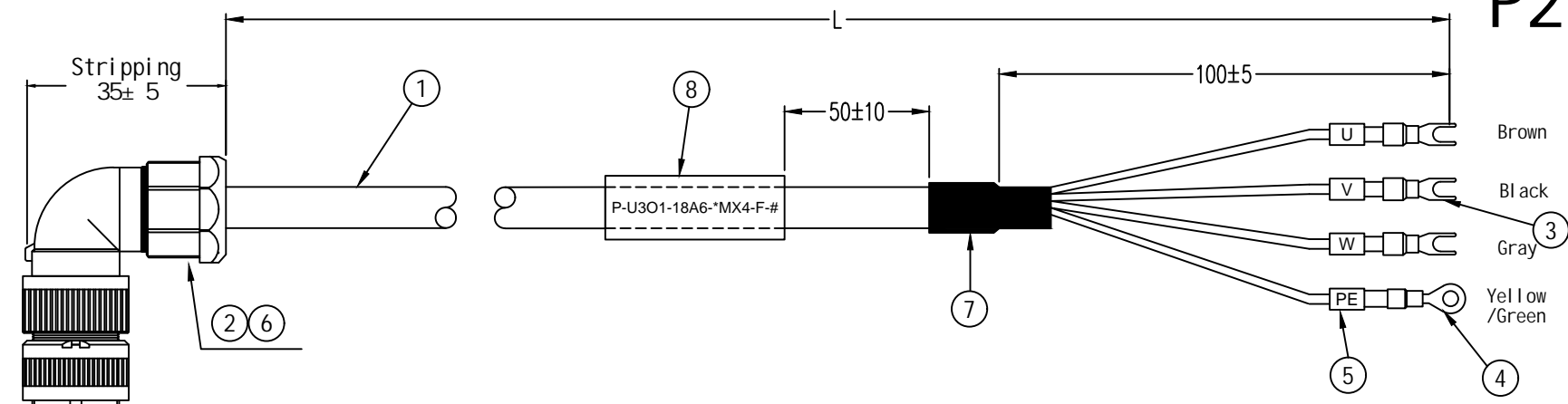
- Coil dimension:  $120 \pm 20$  mm, then secure with black cable ties;
- Place the coiled cable into a PE zipper bag.

### III. Assembly Requirements:

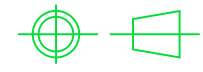
- P2 terminal crimp free of deformation, crack or stray wires.
- Fit heat shrink tube before P1 assembly; wire shall not slip after locking.
- Thread serrated marker tube by wire color before crimping; no missing/wrong threading.



No.	Date	rev.	Description
1	2023.04.11	A	



0 L 1000mm	± 20	3000 L 5000mm	± 60	10000 L 15000mm	± 200
1000 L 3000mm	± 40	5000 L 10000mm	± 100	15000 L 20000mm	± 300



Date	2023.04.11	Unit	mm
------	------------	------	----

Model	P-U3O1-18A6-*MX4-F-#
-------	----------------------

Spec: VD2B power cable 18-A6S TO 3U10 terminal, 4C\*1.5mm <sup>2</sup>

NO.	DESCRIPTION	Q'TY	UNIT
8	Label: 50×12×35, t0.03, white opaque PET sticker	1	PCS
7	Heat shrink tube, ID10.0, heavy-wall 600V, black	1	PCS
6	Heat shrink tube, ID2.0, heavy-wall 600V, black	4	PCS
5	Marker tube, ID4.0, L15mm, PVC serrated, print U,V,W,PE	4	PCS
4	Terminal: RV1.25-4S 0-terminal, red insulator	1	PCS
3	Terminal: SV1.25-4S U-terminal, red insulator	3	PCS
2	Aviation connector: MIL5015 3108A 18-A6S	1	PCS
1	Cable 4C×1.5mm <sup>2</sup> , OD9.2, ultra-flex 10M cycles, orange	X	M
	Cable 4C×1.5mm <sup>2</sup> , OD8.7, high-flex 5M cycles, orange	X	M
	Cable 4C×1.5mm <sup>2</sup> , OD9.6, standard-flex 2M cycles, black	X	M

NO.	DESCRIPTION	Q'TY	UNIT
-----	-------------	------	------